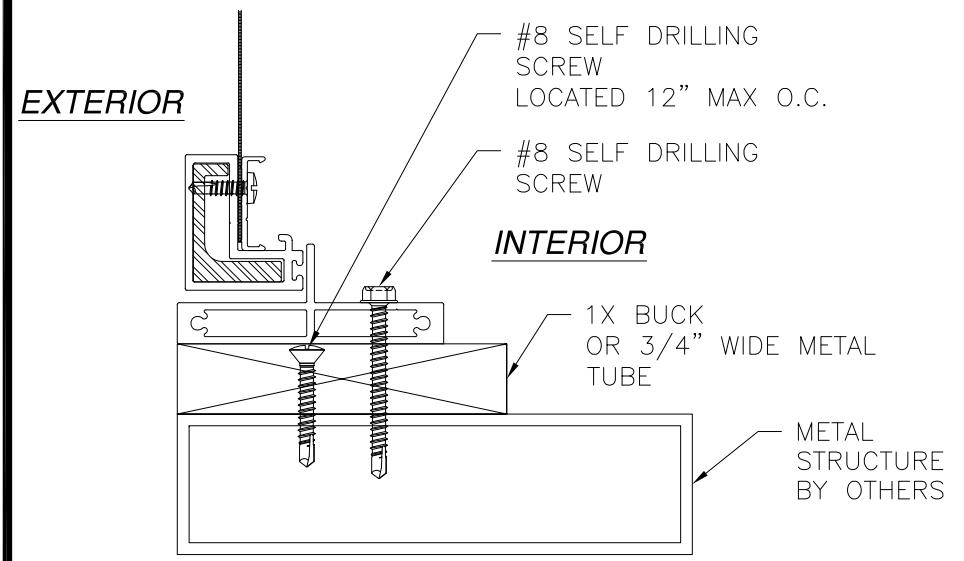
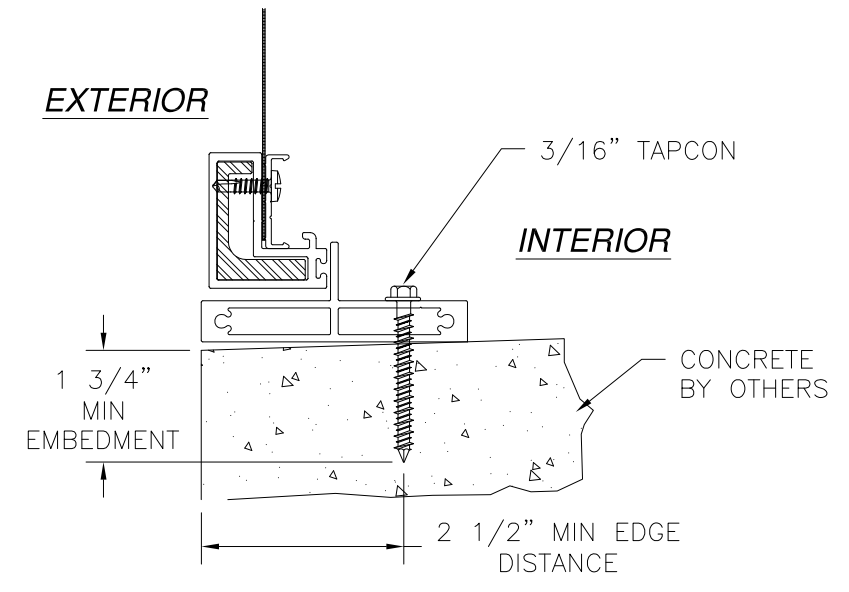


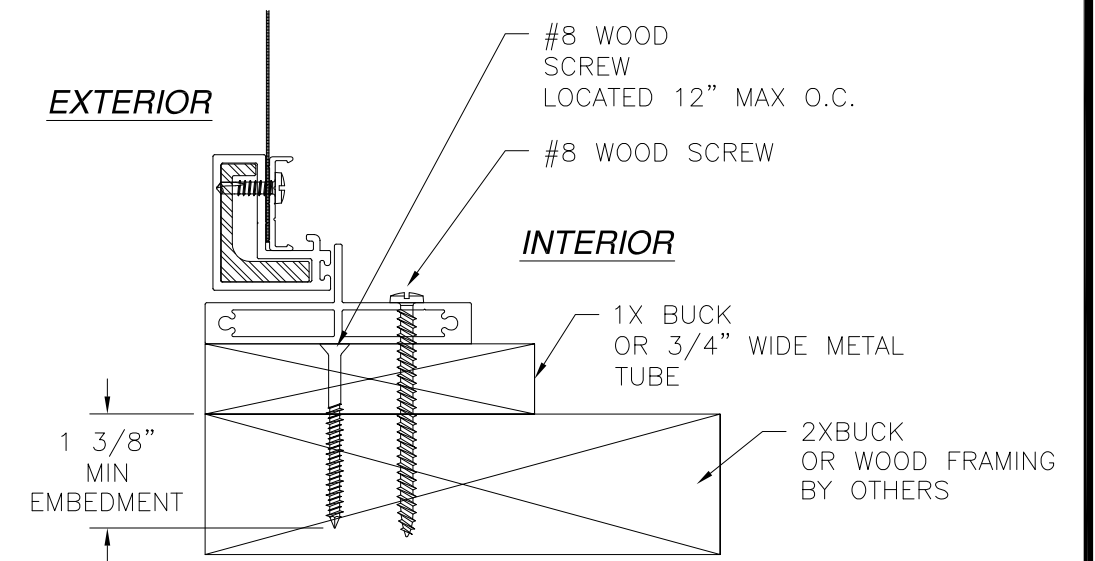
REVISIONS			
REV	DESCRIPTION	DATE	APPROVED



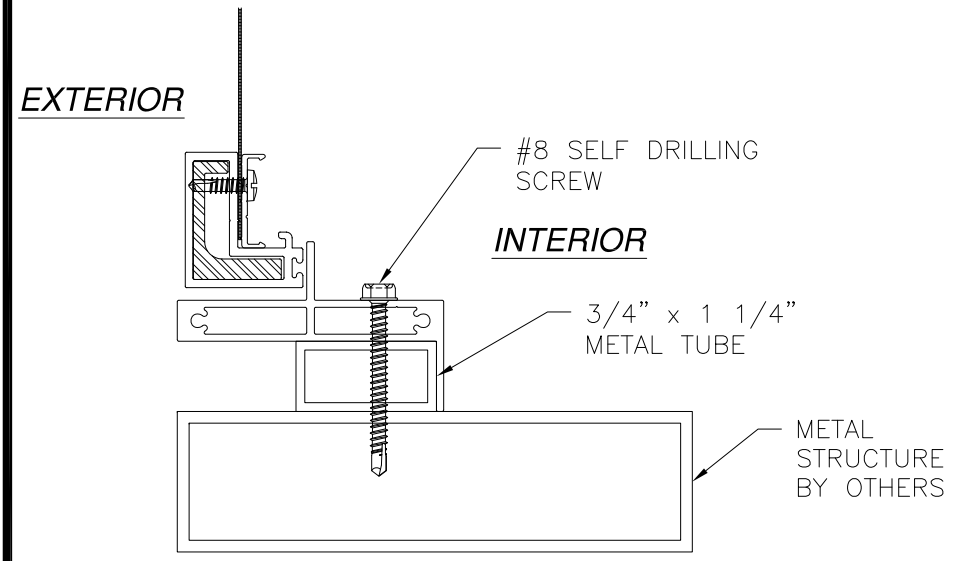
VERTICAL CROSS SECTION
METAL STRUCTURE INSTALLATION



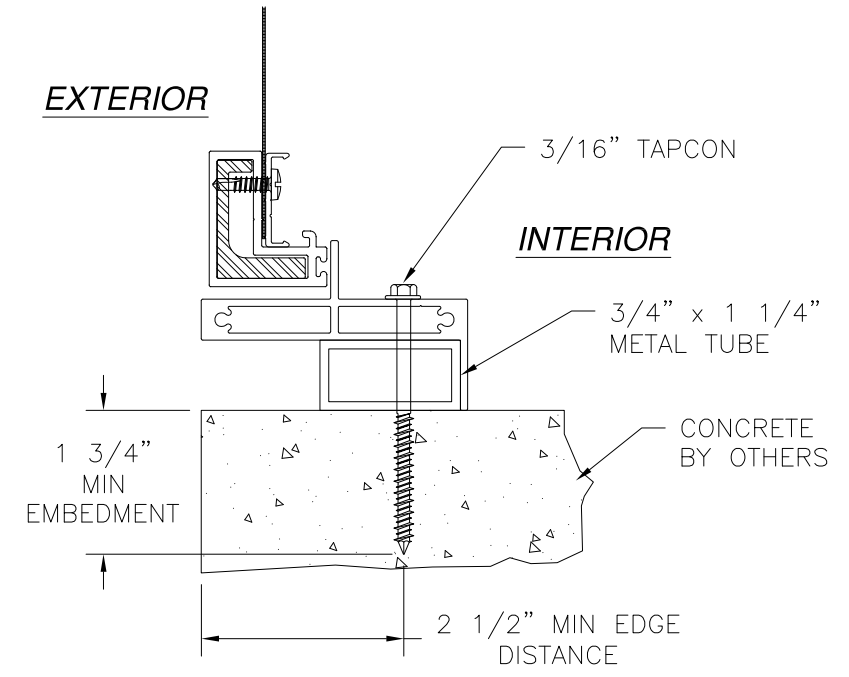
VERTICAL CROSS SECTION
CONCRETE INSTALLATION



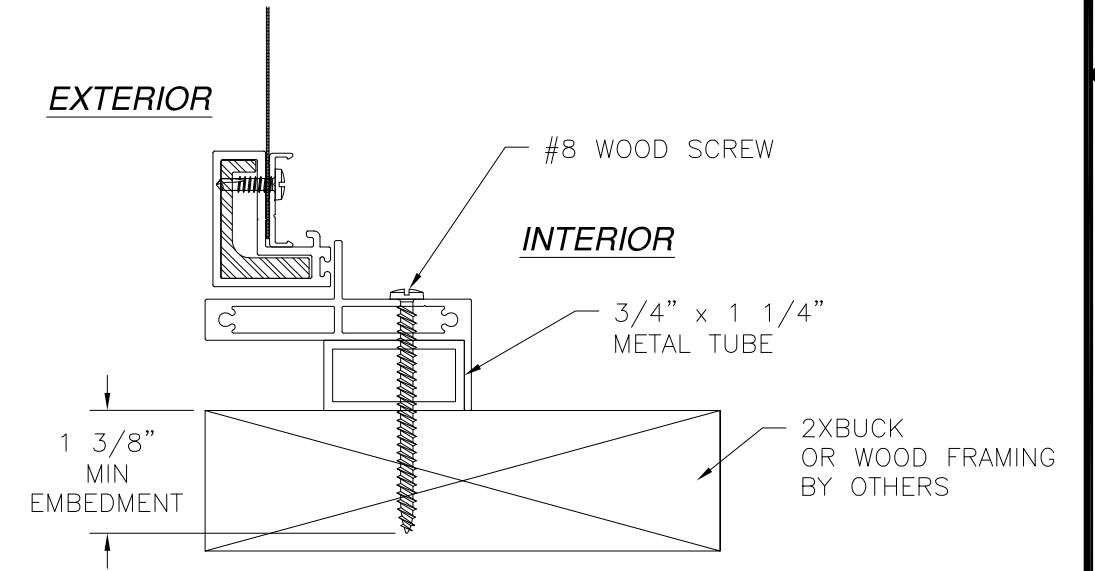
VERTICAL CROSS SECTION
2X BUCK OR WOOD FRAMING INSTALLATION



VERTICAL CROSS SECTION
METAL STRUCTURE INSTALLATION



VERTICAL CROSS SECTION
CONCRETE INSTALLATION



VERTICAL CROSS SECTION
2X BUCK OR WOOD FRAMING INSTALLATION

TAPCO INCORPORATED
1815 McCULLOUGH BLVD.
TUPELO, MS 38801

985HV ALUMINUM HURRICANE SCREEN – IMPACT
153" x 96"
INSTALLATION DETAILS

DRAWN: TJH	DWG NO. 08-00770	REV B
SCALE NTS	DATE 06/11/09	SHEET 4 OF 6