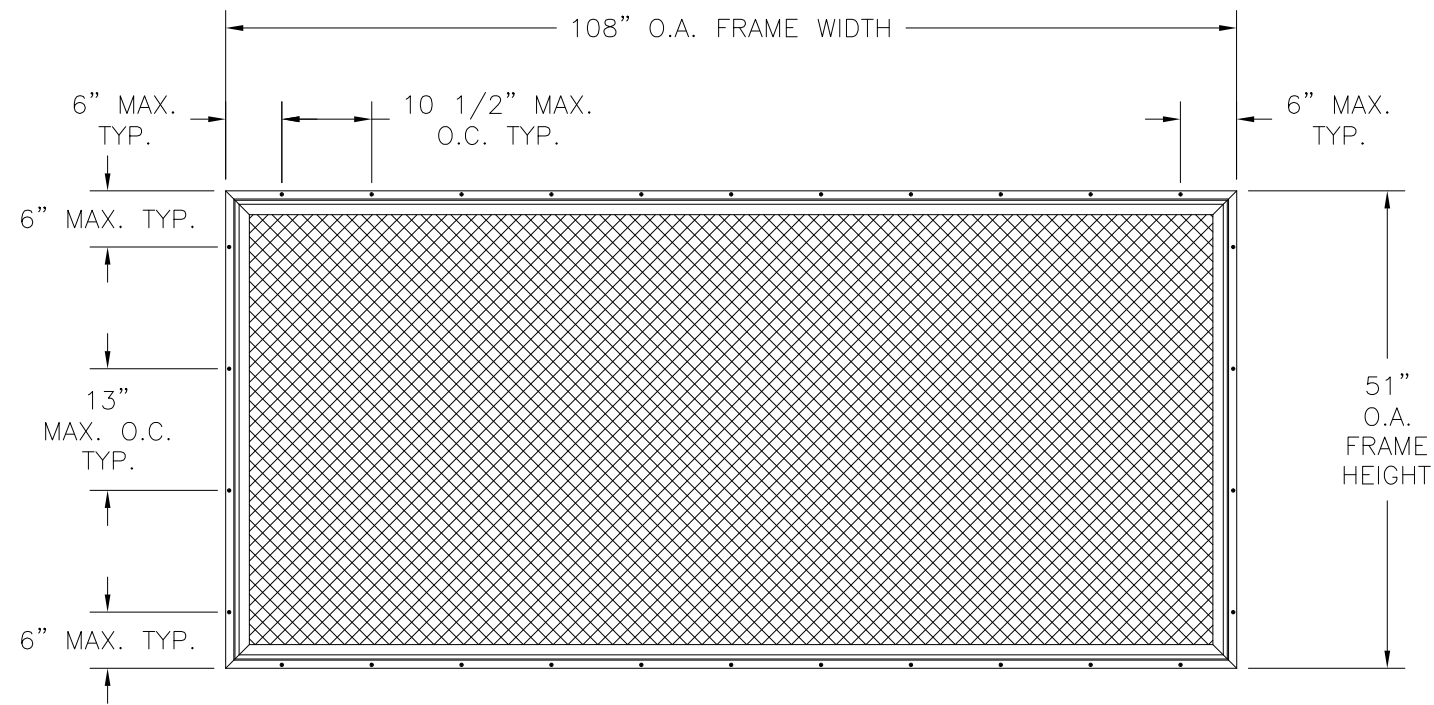


REVISIONS

REV	DESCRIPTION	DATE	APPROVED
-----	-------------	------	----------



300-HV-F ALUMINUM FIXED HURRICANE SCREEN
EXTERIOR VIEW

DESIGN PRESSURE RATING	IMPACT RATING
±70.0PSF	LARGE AND SMALL MISSILE IMPACT

WIND ZONE 4, LEVEL E, AND HVHZ

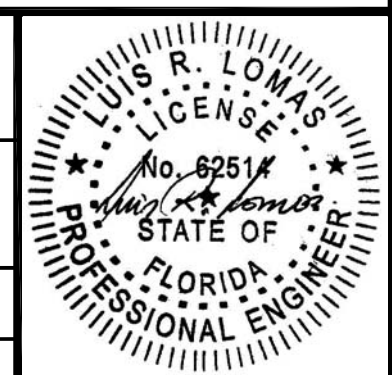
NOTES:

- 1) THE PRODUCT SHOWN HEREIN IS DESIGNED AND MANUFACTURED TO COMPLY WITH REQUIREMENTS OF THE FLORIDA BUILDING CODE.
- 2) WOOD FRAMING AND MASONRY OPENING TO BE DESIGNED AND ANCHORED TO PROPERLY TRANSFER ALL LOADS TO STRUCTURE. FRAMING AND MASONRY OPENING IS THE RESPONSIBILITY OF THE ARCHITECT OR ENGINEER OF RECORD.
- 3) ALLOWABLE STRESS INCREASE OF 1/3 WAS NOT USED IN THE DESIGN OF THE PRODUCT SHOWN HEREIN. WIND LOAD DURATION FACTOR Cd=1.6 WAS USED FOR WOOD ANCHOR CALCULATIONS.
- 4) FRAME MATERIAL: EXTRUDED ALUMINUM 6063-T5 .080" THICK.
- 5) SCREEN MATERIAL: .035" STAINLESS STEEL WITH 12x12 STANDS PER SQUARE INCH AND .048" OPEN SPACE BETWEEN STRANDS. MESH FINISH MAY BE NATURAL OR PAINTED.
- 6) APPROVED IMPACT PROTECTIVE SYSTEM IS NOT REQUIRED FOR THIS PRODUCT IN WIND BORNE DEBRIS REGIONS.
- 7) SHIM AS REQUIRED AT EACH INSTALLATION ANCHOR WITH LOAD BEARING SHIM. SHIM WHERE SPACE OF 1/16" OR GREATER OCCURS. MAXIMUM ALLOWABLE SHIM STACK TO BE 1/4".
- 8) FOR ANCHORING INTO MASONRY USE 3/16" ITW TAPCONS WITH SUFFICIENT LENGTH TO ACHIEVE A 1 1/4" MINIMUM EMBEDMENT INTO SUBSTRATE WITH 1 3/4" MINIMUM EDGE DISTANCE. LOCATE ANCHORS AS SHOWN IN ELEVATIONS AND INSTALLATION DETAILS.
- 9) FOR ANCHORING INTO WOOD FRAMING OR 2X BUCK USE #8 WOOD SCREW WITH SUFFICIENT LENGTH TO ACHIEVE A 1 1/2" MINIMUM EMBEDMENT INTO SUBSTRATE. LOCATE ANCHORS AS SHOWN IN ELEVATIONS AND INSTALLATION DETAILS.
- 10) FOR ANCHORING INTO 16GA. MINIMUM STEEL STUD FRAMING USE #8 TEK SCREW WITH SUFFICIENT LENGTH TO ACHIEVE 3-THREADS MINIMUM BEYOND SUBSTRATE. LOCATE ANCHORS AS SHOWN IN ELEVATIONS AND INSTALLATION DETAILS.
- 11) ALL FASTENERS TO BE CORROSION RESISTANT.
- 12) INSTALLATION ANCHORS SHALL BE INSTALLED IN ACCORDANCE WITH ANCHOR MANUFACTURER'S INSTALLATION INSTRUCTIONS, AND ANCHORS SHALL NOT BE USED IN SUBSTRATES WITH STRENGTHS LESS THAN THE MINIMUM STRENGTH SPECIFIED BELOW:
 - A. WOOD - MINIMUM SPECIFIC GRAVITY OF G=0.42
 - B. CONCRETE - MINIMUM COMPRESSIVE STRENGTH OF 3,192 PSI.
 - C. MASONRY - STRENGTH CONFORMANCE TO ASTM C-90, GRADE N, TYPE 1 (OR GREATER).
 - D. METAL STRUCTURE - STEEL 18GA, 33KSI OR ALUMINUM 6063-T5 1/8" THICK MINIMUM.
- 13) UNITS MAYBE INSTALLED VERTICALLY, OR HORIZONTALLY.

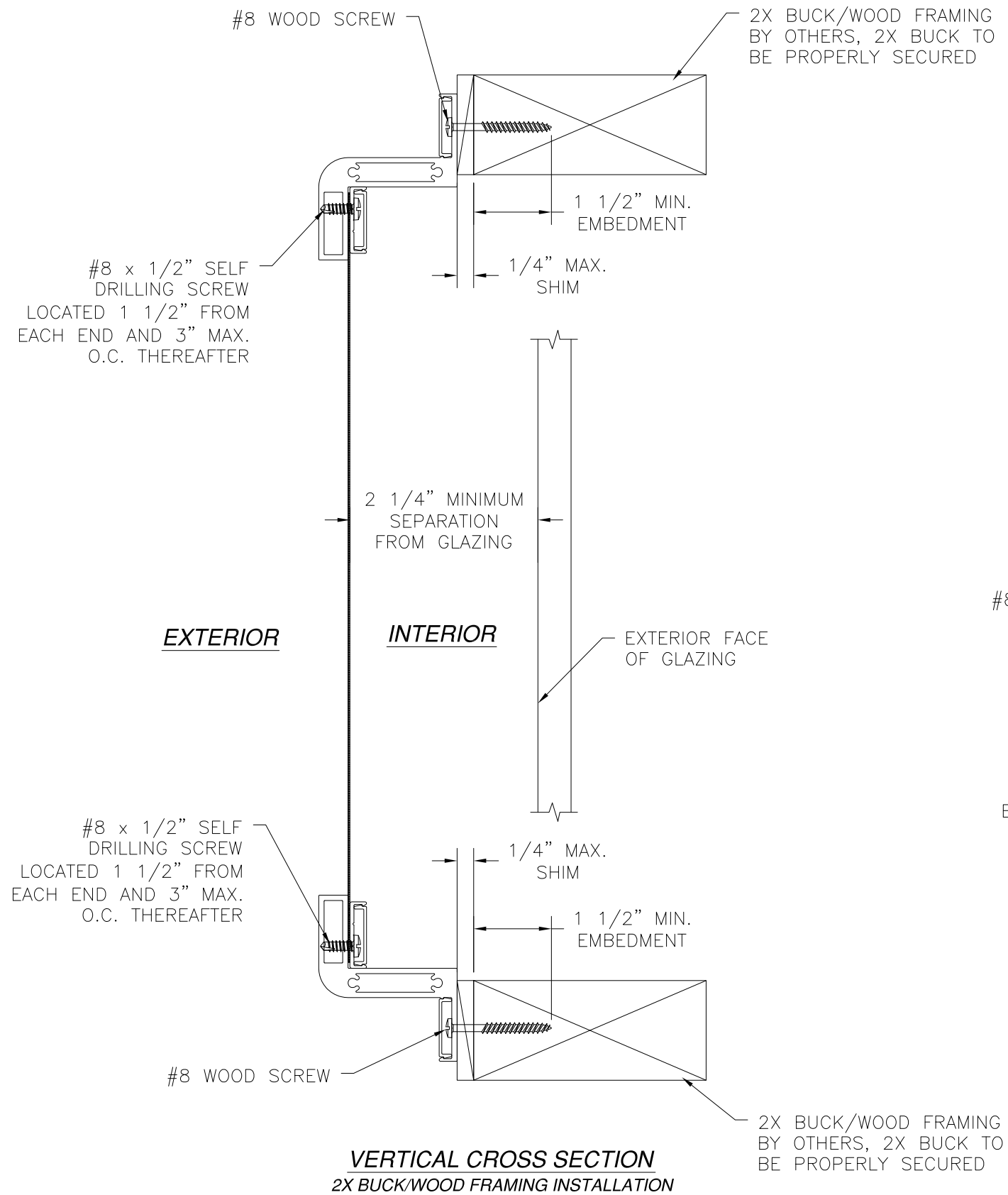
SIGNED: 08/29/2014

TABLE OF CONTENTS	
SHEET NO.	DESCRIPTION
1	ELEVATION, ANCHORING LAYOUT AND NOTES
2 - 3	INSTALLATION DETAILS
4	INSTALLATION DETAILS AND COMPONENTS

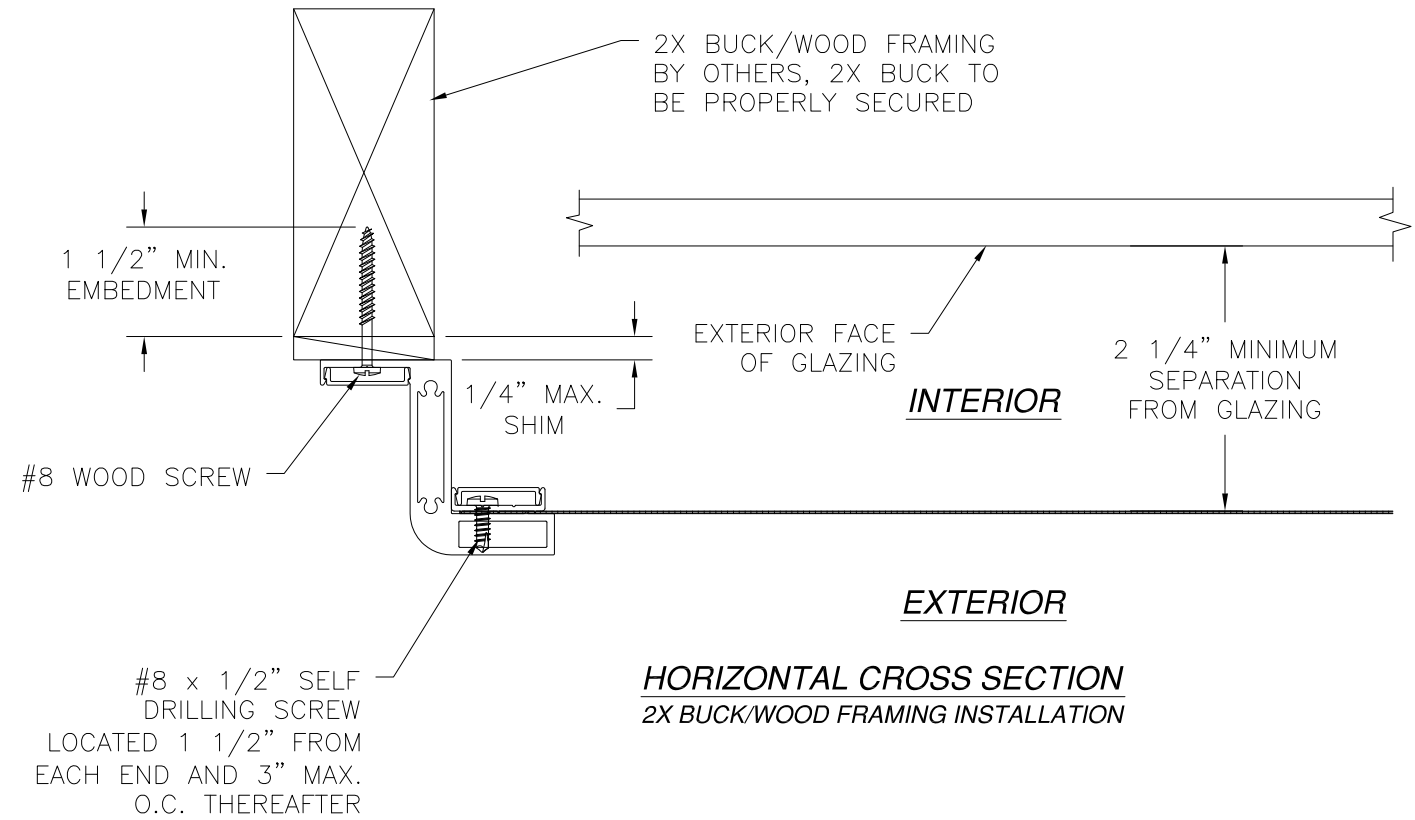
TAPCO INCORPORATED 1815 McCULLOUGH BLVD. TUPELO, MS 38801		
300-HV-F ALUMINUM FIXED HURRICANE SCREEN 108" x 51" - IMPACT ELEVATION, ANCHORING LAYOUT AND NOTES		
DRAWN: V.L.	DWG NO. 08-02479	REV -
SCALE NTS	DATE 08/28/14	SHEET 1 OF 4



REVISIONS			
REV	DESCRIPTION	DATE	APPROVED

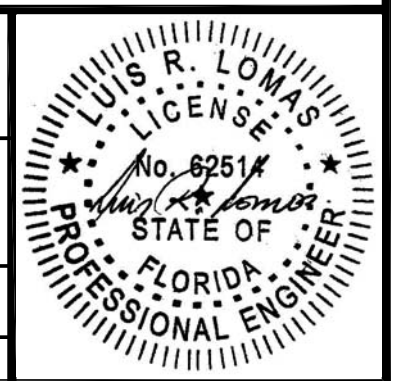


VERTICAL CROSS SECTION
2X BUCK/WOOD FRAMING INSTALLATION

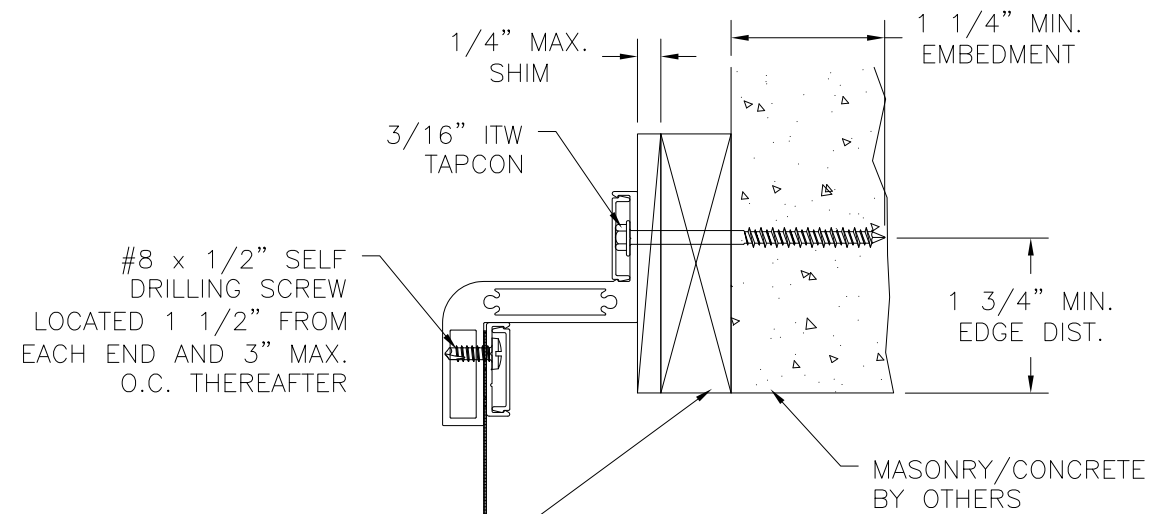


HORIZONTAL CROSS SECTION
2X BUCK/WOOD FRAMING INSTALLATION

TAPCO INCORPORATED 1815 McCULLOUGH BLVD. TUPELO, MS 38801		
300-HV-F ALUMINUM FIXED HURRICANE SCREEN 108" x 51" - IMPACT INSTALLATION DETAILS		
DRAWN: V.L.	DWG NO. 08-02479	REV -
SCALE NTS	DATE 08/28/14	SHEET 2 OF 4



REVISIONS			
REV	DESCRIPTION	DATE	APPROVED



#8 x 1/2" SELF DRILLING SCREW LOCATED 1 1/2" FROM EACH END AND 3" MAX. O.C. THEREAFTER

OPTIONAL 1X BUCK BY OTHERS, OPTIONAL 1X BUCK TO BE PROPERLY SECURED

2 1/4" MINIMUM SEPARATION FROM GLAZING

EXTERIOR

INTERIOR

EXTERIOR FACE OF GLAZING

OPTIONAL 1X BUCK BY OTHERS, OPTIONAL 1X BUCK TO BE PROPERLY SECURED

MASONRY/CONCRETE BY OTHERS

#8 x 1/2" SELF DRILLING SCREW LOCATED 1 1/2" FROM EACH END AND 3" MAX. O.C. THEREAFTER

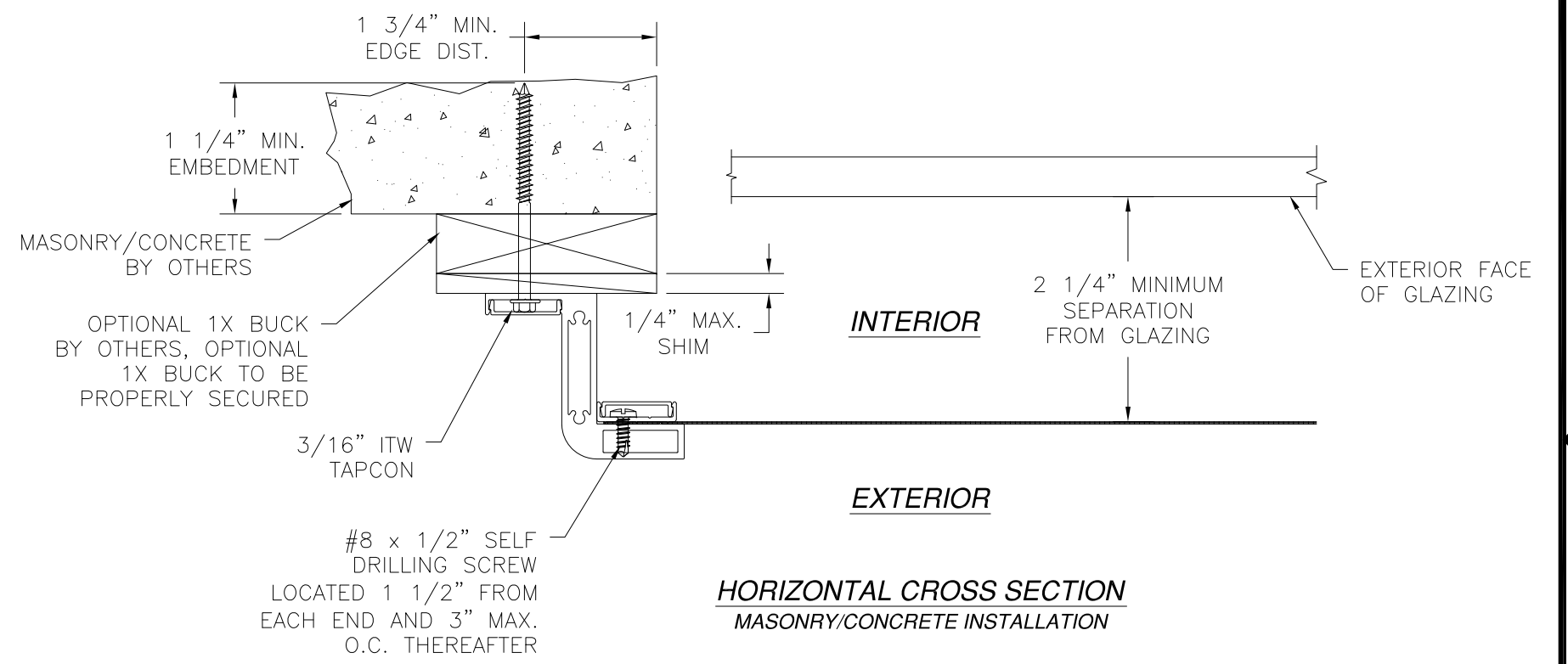
3/16" ITW TAPCON

1/4" MAX. SHIM

1 3/4" MIN. EDGE DIST.

1 1/4" MIN. EMBEDMENT

VERTICAL CROSS SECTION
MASONRY/CONCRETE INSTALLATION



MASONRY/CONCRETE BY OTHERS

OPTIONAL 1X BUCK BY OTHERS, OPTIONAL 1X BUCK TO BE PROPERLY SECURED

3/16" ITW TAPCON

1/4" MAX. SHIM

#8 x 1/2" SELF DRILLING SCREW LOCATED 1 1/2" FROM EACH END AND 3" MAX. O.C. THEREAFTER

INTERIOR

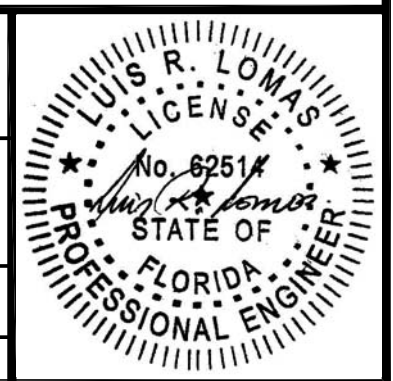
EXTERIOR

2 1/4" MINIMUM SEPARATION FROM GLAZING

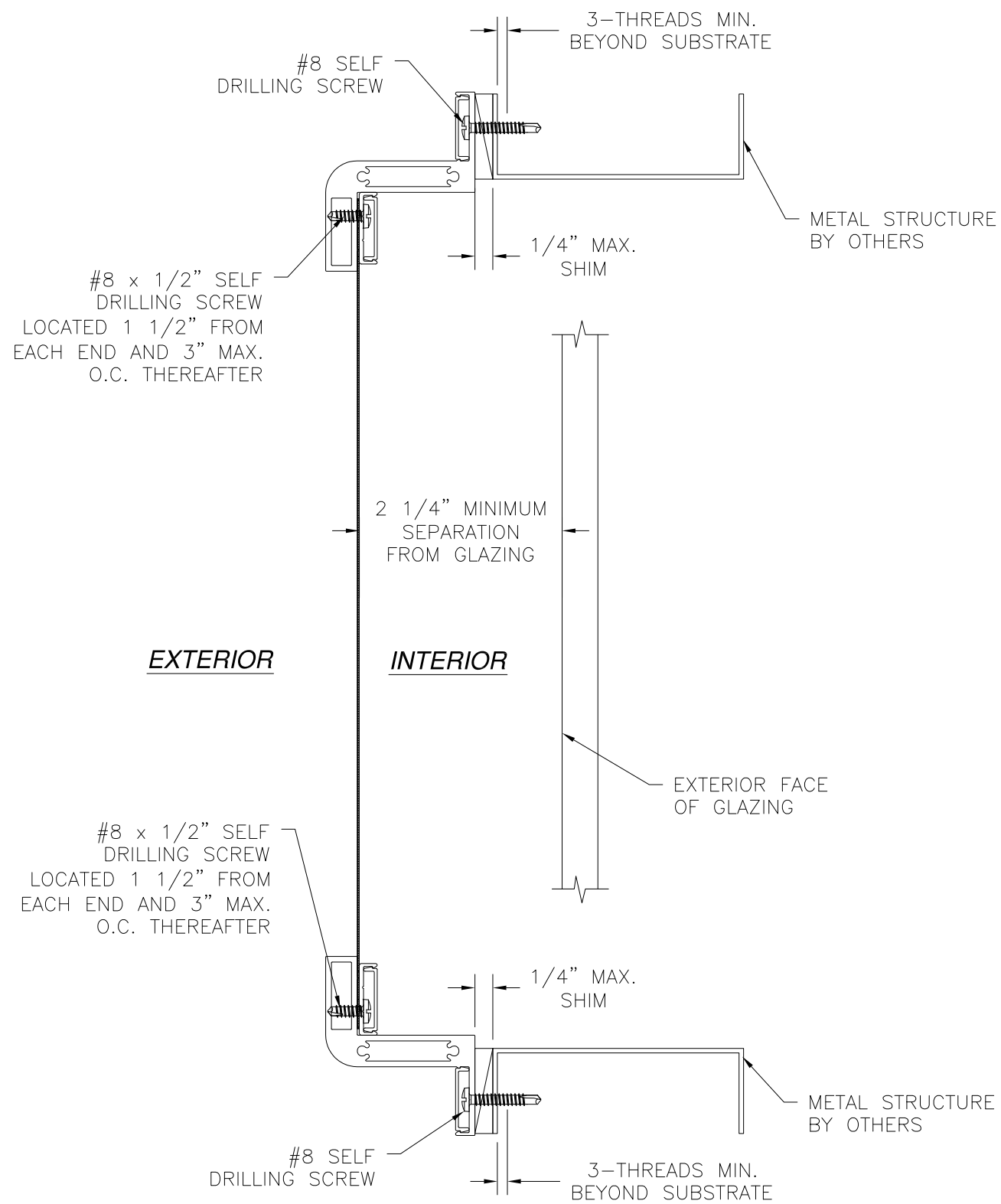
EXTERIOR FACE OF GLAZING

HORIZONTAL CROSS SECTION
MASONRY/CONCRETE INSTALLATION

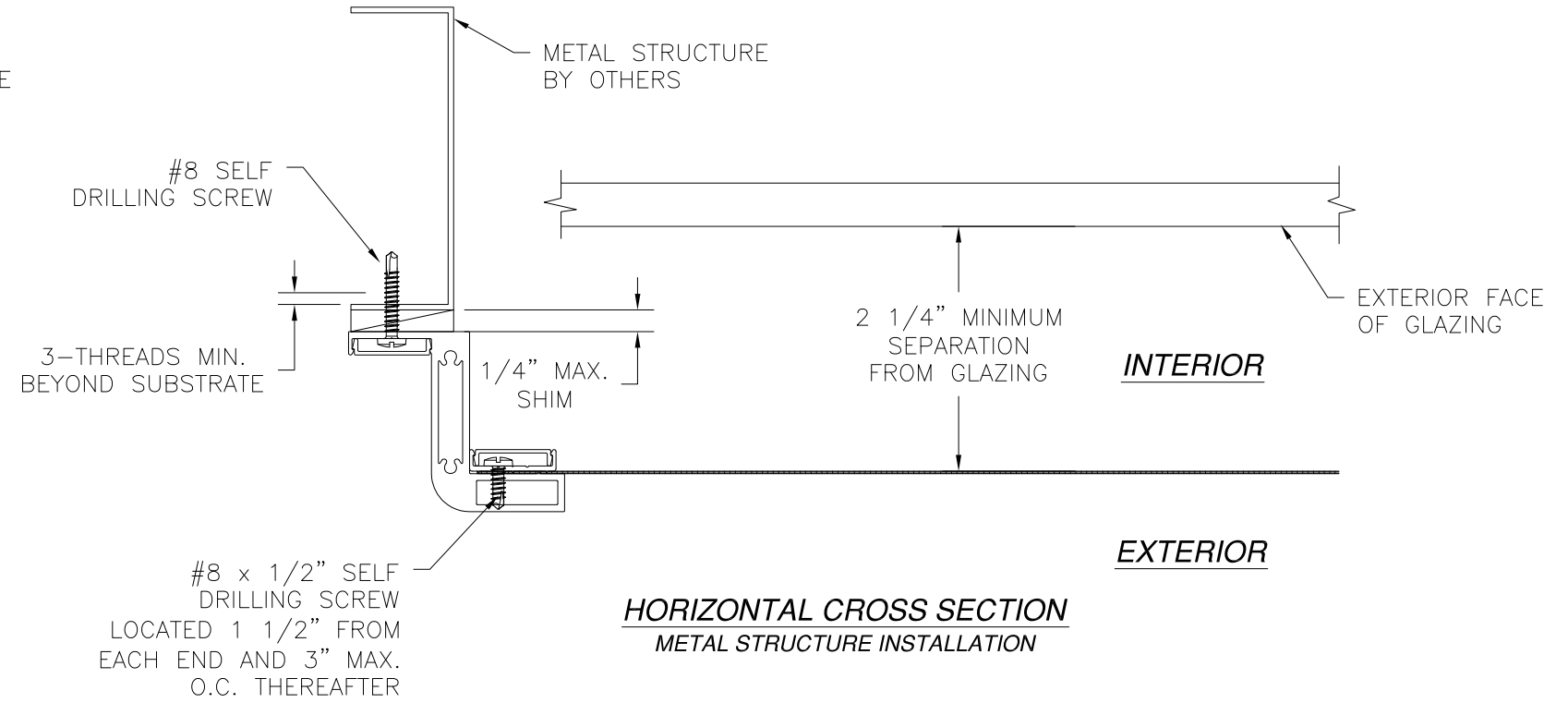
TAPCO INCORPORATED 1815 McCULLOUGH BLVD. TUPELO, MS 38801		
300-HV-F ALUMINUM FIXED HURRICANE SCREEN 108" x 51" - IMPACT INSTALLATION DETAILS		
DRAWN: V.L.	DWG NO. 08-02479	REV -
SCALE NTS	DATE 08/28/14	SHEET 3 OF 4



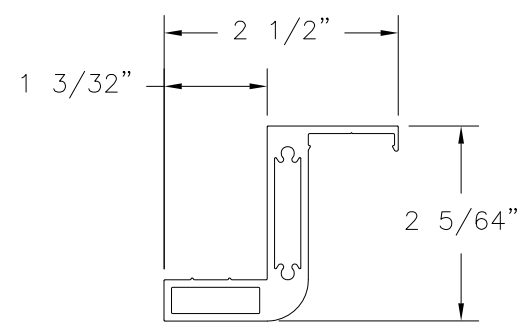
REVISIONS			
REV	DESCRIPTION	DATE	APPROVED



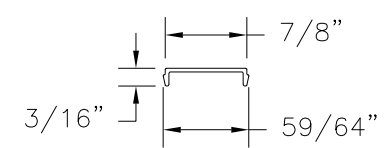
VERTICAL CROSS SECTION
METAL STRUCTURE INSTALLATION



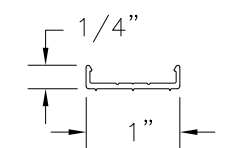
HORIZONTAL CROSS SECTION
METAL STRUCTURE INSTALLATION



300-F MAIN FRAME
ALUMINUM 6063-T5 .080" THICK



FLAT BAR COVER
EXTRUDED RIGID PVC .040" THICK



FLAT BAR U-CHANNEL
ALUMINUM 6063-T5 .060" THICK

TAPCO INCORPORATED
1815 McCULLOUGH BLVD.
TUPELO, MS 38801

300-HV-F ALUMINUM FIXED HURRICANE SCREEN
108" x 51" - IMPACT
INSTALLATION DETAILS AND COMPONENTS

DRAWN: V.L.	DWG NO. 08-02479	REV -
SCALE NTS	DATE 08/28/14	SHEET 4 OF 4

